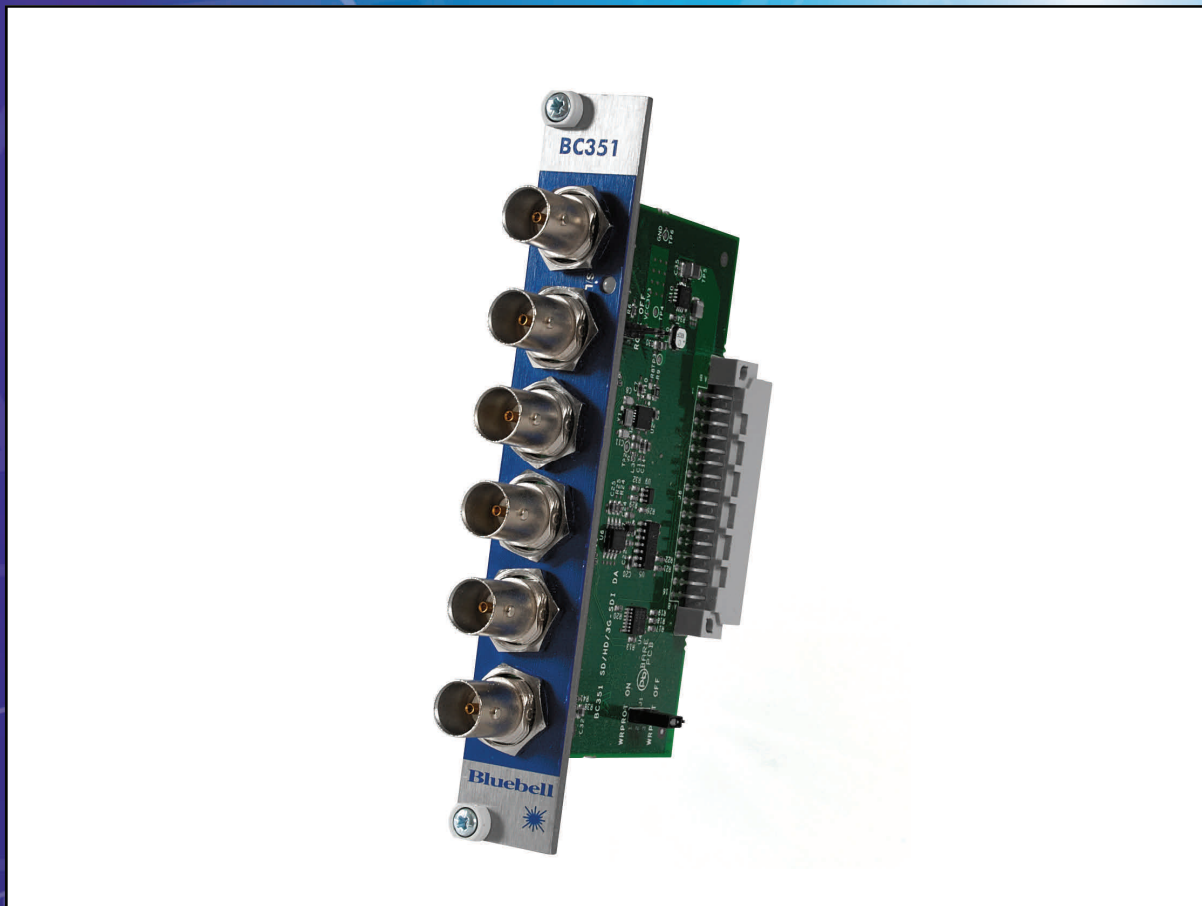


## BC Series Modular Fibre Optic Interface System



### BC351 Distribution Amplifier

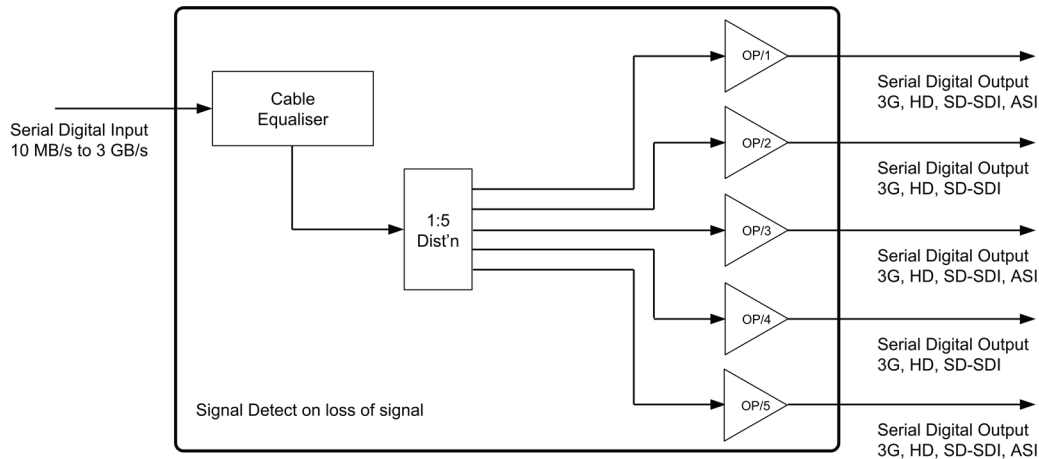
### 3G-SDI, HD-SDI, SD-SDI, ASI

The BC351 is a distribution amplifier for the distribution of 3G-SDI, HD-SDI, SD-SDI and ASI signals in a digital television facility. The incoming signal is auto-sensed and then equalised prior to being driven into the five available outputs. In non-reclocking mode the unit can operate with data rates from 10 Mb/s to 3 Gb/s.

The BC351 occupies a single slot in the BC100-3RU 19" rack-mounting frame which can hold up to 15 single slot cards. Some BC Series processing cards have dual functionality allowing up to 30 channels of video to be transmitted or received from a single 3RU frame.

For stand alone applications the BC351 can be housed in an individual rugged enclosure.

**Schematic Diagram BC351**



**Rear Panel**



**Specifications**

**Electrical Input**

Standards	SMPTE 424M, SMPTE 292M, SMPTE 259M, SMPTE 297M, DVB-ASI
Equalisation	Automatic to 100 m @ 3 Gb/s Automatic to 200 m @ 1.485 Gb/s Automatic to 300 m @ 270 Mb/s Equaliser and reclocking can be bypassed to support data rates down to 10 Mb/s
Connector	75 Ohm BNC per IEC 60169-8 Amendment 2
Return Loss	> 15 dB @ 1.485 Gb/s

**Electrical Output**

Number of O/P	5
Connector	75 Ohm BNC per IEC 60169-8 Amendment 2
Return Loss	> 15 dB @ 1.485 Gb/s
Polarity	Non inverting
Signal Level	800 mV +/- 10%
DC Offset	0 +/- 0.5 V
Jitter	<0.2 UI line equalised
Format	Driven active loop out

**General card specifications**

Depth	60 mm
Width	20 mm 4HP
Height	129 mm 3RU
Weight	100 g
Operating Temp	-30 to +70 °C
Power	2.2 W
Signal detect	LED on for loss of signal
No of slots	1

**Conformance**

EMI/RFI:	Complies with 89/336/EEC, EN55022B, EN61000-4-2, EN61000-4-4-(Level 2), EN61000-4-4FTB, EN61000-4-5, EN61000-4-11
Electrical:	Complies with EN61000-6-1, EN61000-6-2, EN61000-6-3, EN61000-6-4
Laser Safety:	Dependent on SFP fitted. Complies with Class 1 laser product
RoHS:	Complies with Directive 2002/95/EC
Warranty	5 years

N.B. Outputs 2 and 4 are polarity sensitive and do not pass ASI.

**Ordering Information**

BC351 1 in, 5 out reclocking 3G-SDI, HD-SDI, SD-SDI and ASI distribution amplifier. In non reclocked mode passes data rates down to 10MHz

**Fitted with LC connectors as standard**

**For all available enclosures and frames see section "Universal Chassis and Power Supplies".**